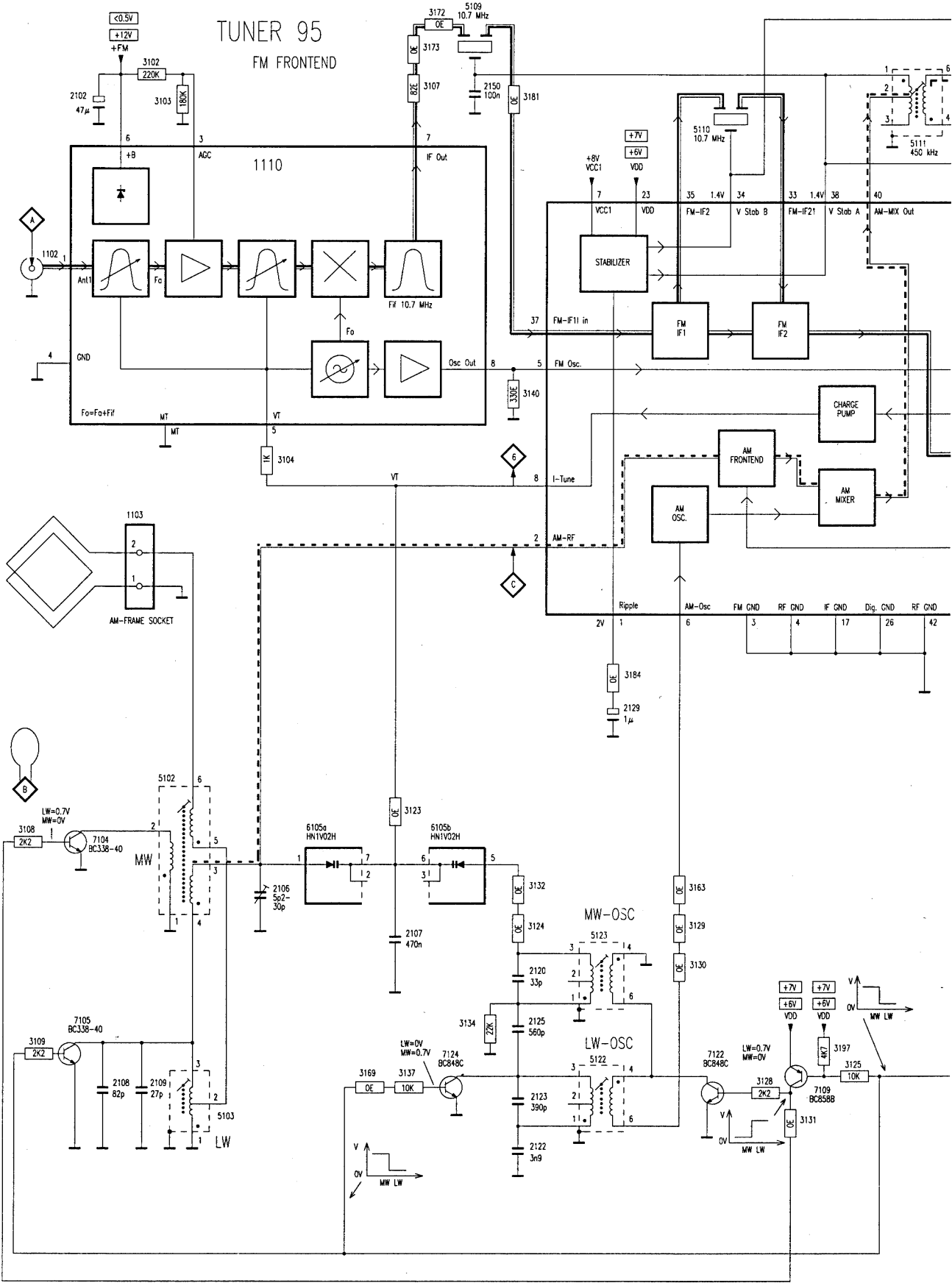
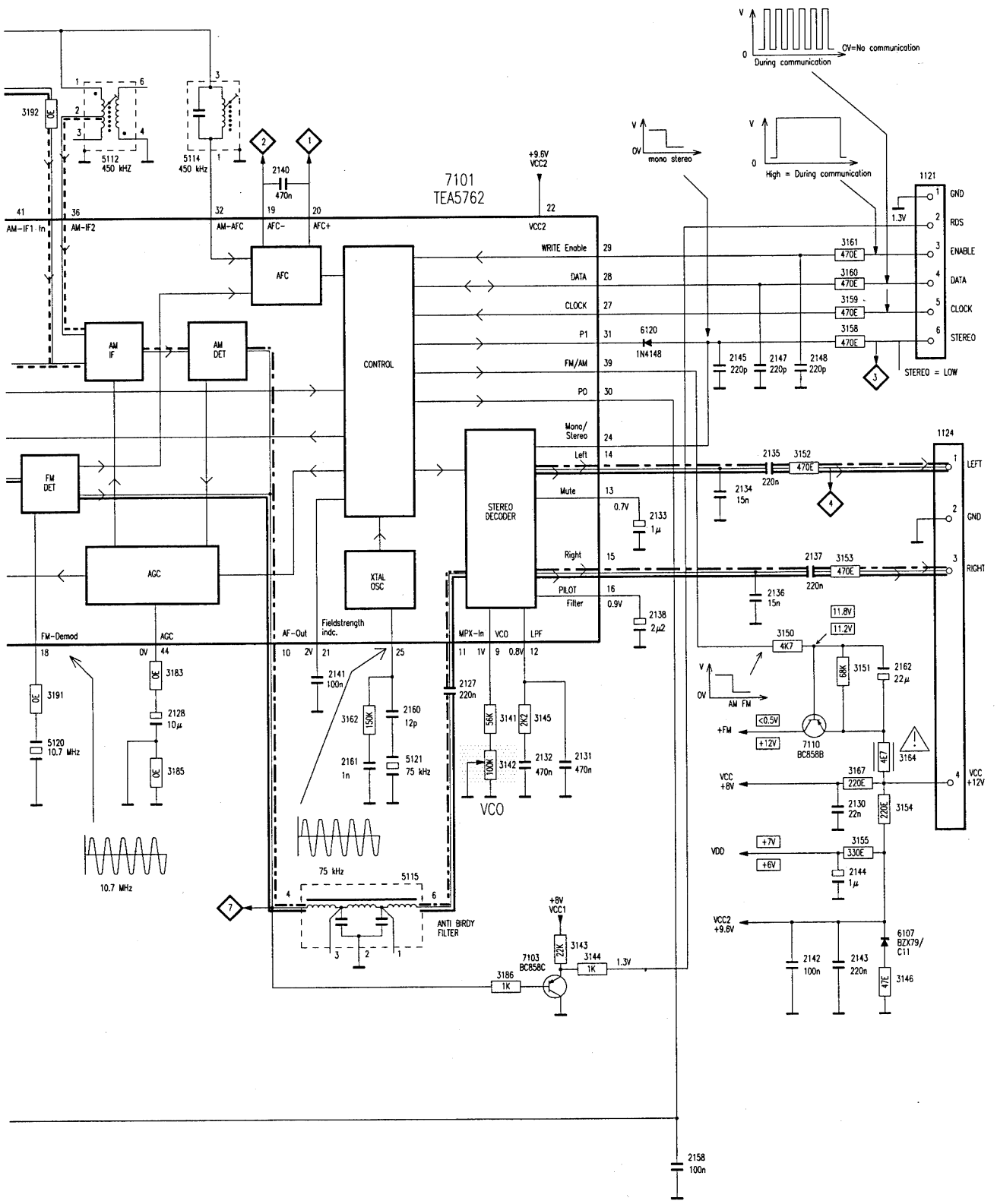
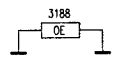


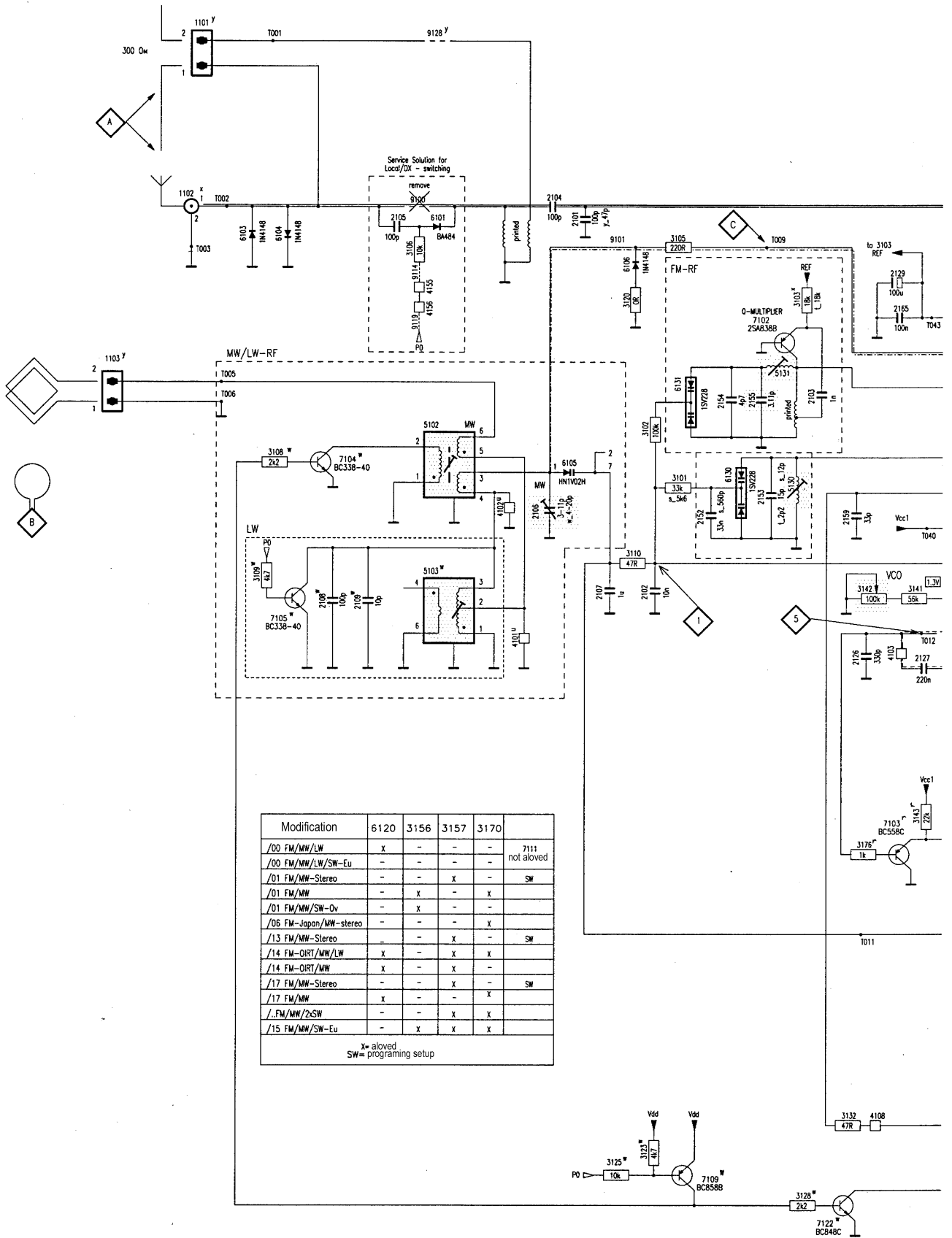
# TUNER 95 FM FRONTEND

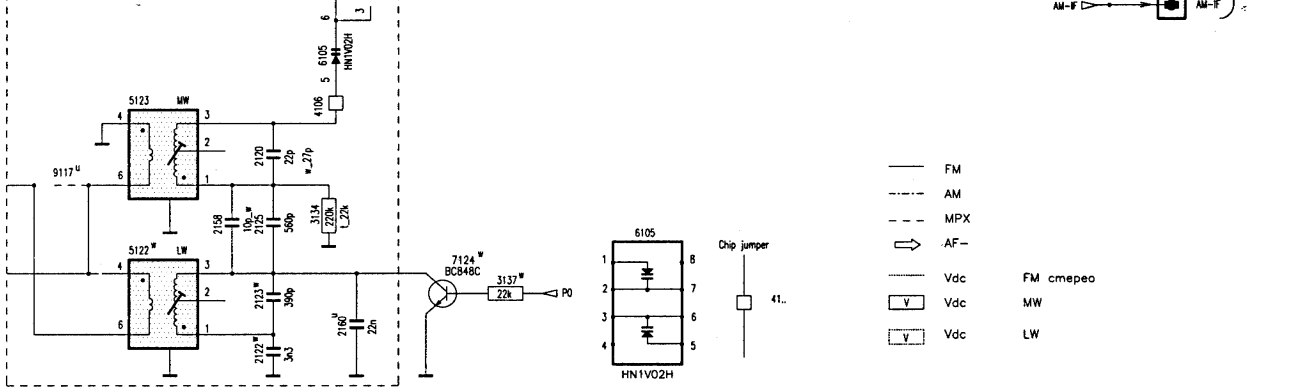
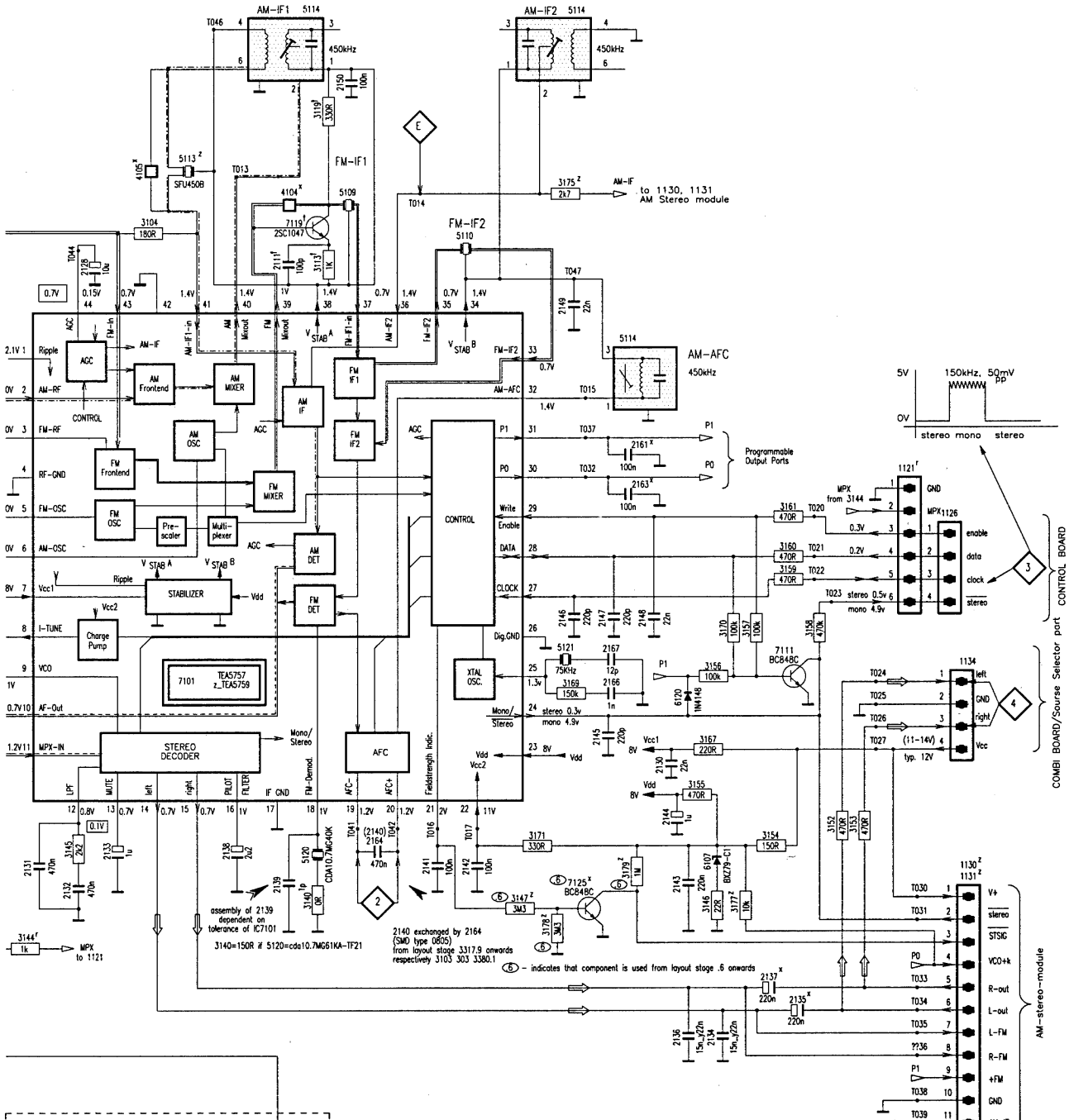




— FM  
 - - - AM  
 - - - AF



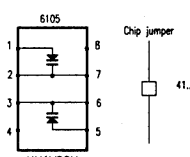




COMBI BOARD/Source Selector part CONTROL BOARD

AM-stereo-module

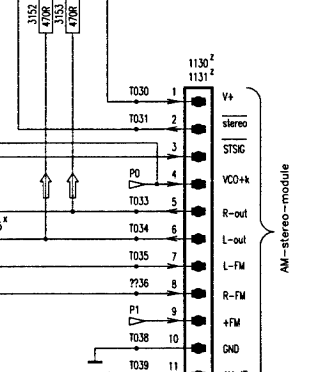
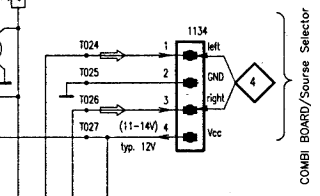
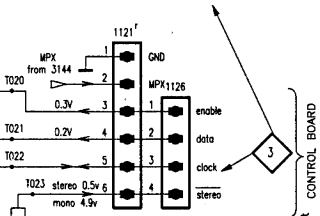
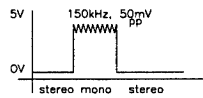
- FM
- - - AM
- MPX
- ⇨ AF-
- Vdc FM cmepeo
- Vdc MW
- Vdc LW

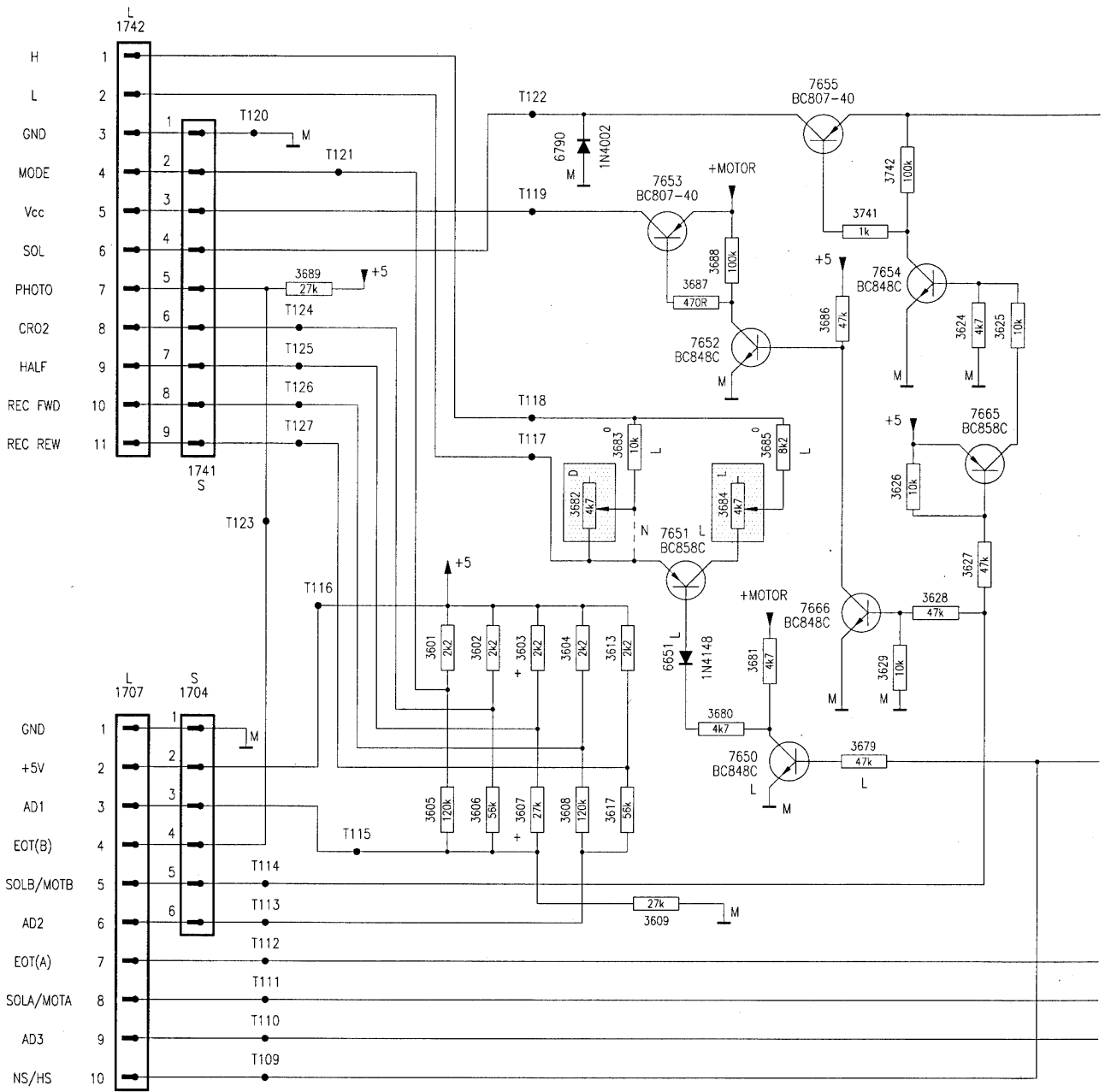


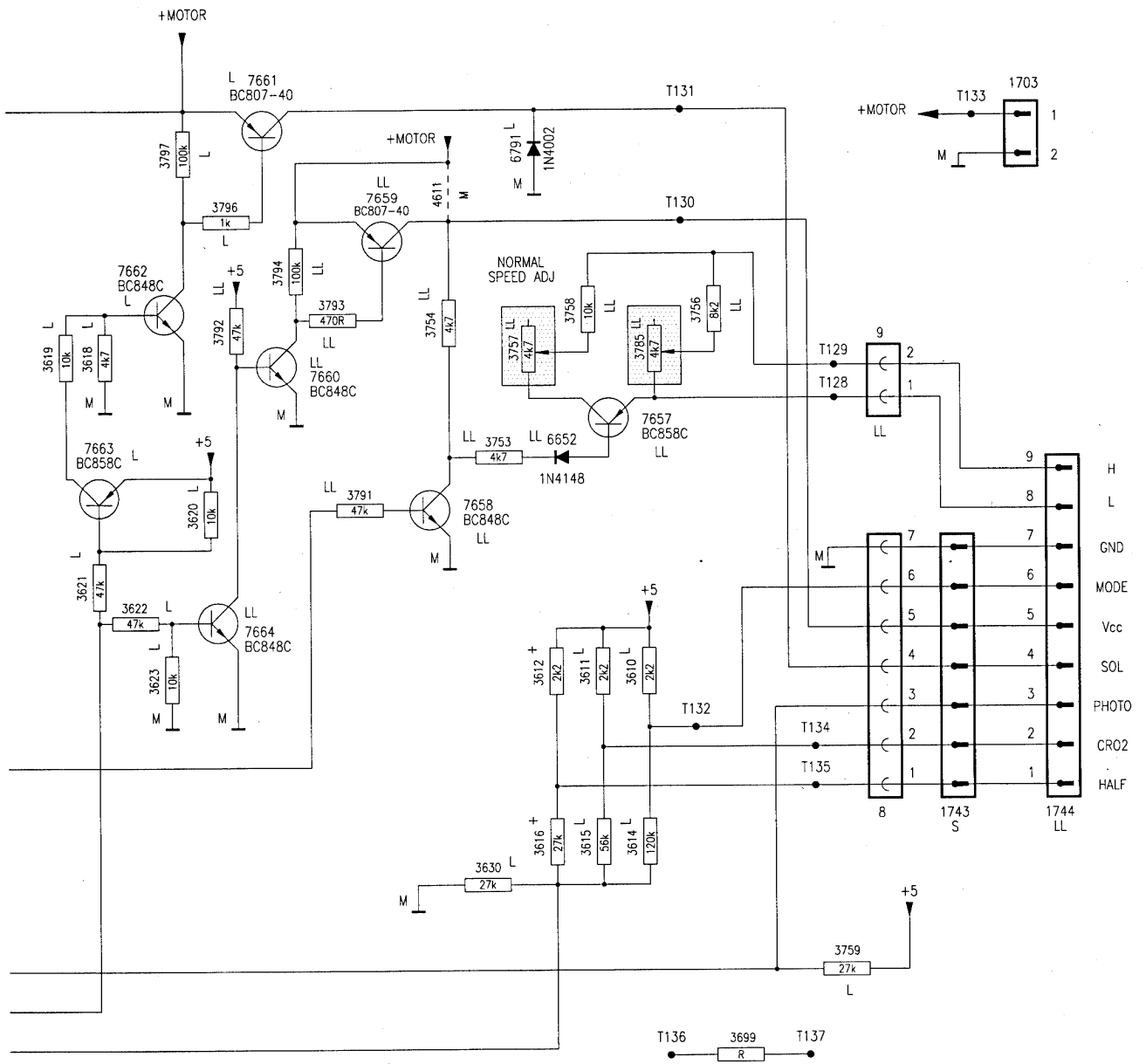
2140 exchanged by 2164 (SMD type 1655) from layout stage 3317.9 onwards respectively 3103 303 3380.1

assembly of 2139 dependent on tolerance of IC7101  
3140=150R if 5120=cda10.7W651KA-IF21

Ⓞ - indicates that component is used from layout stage .6 onwards



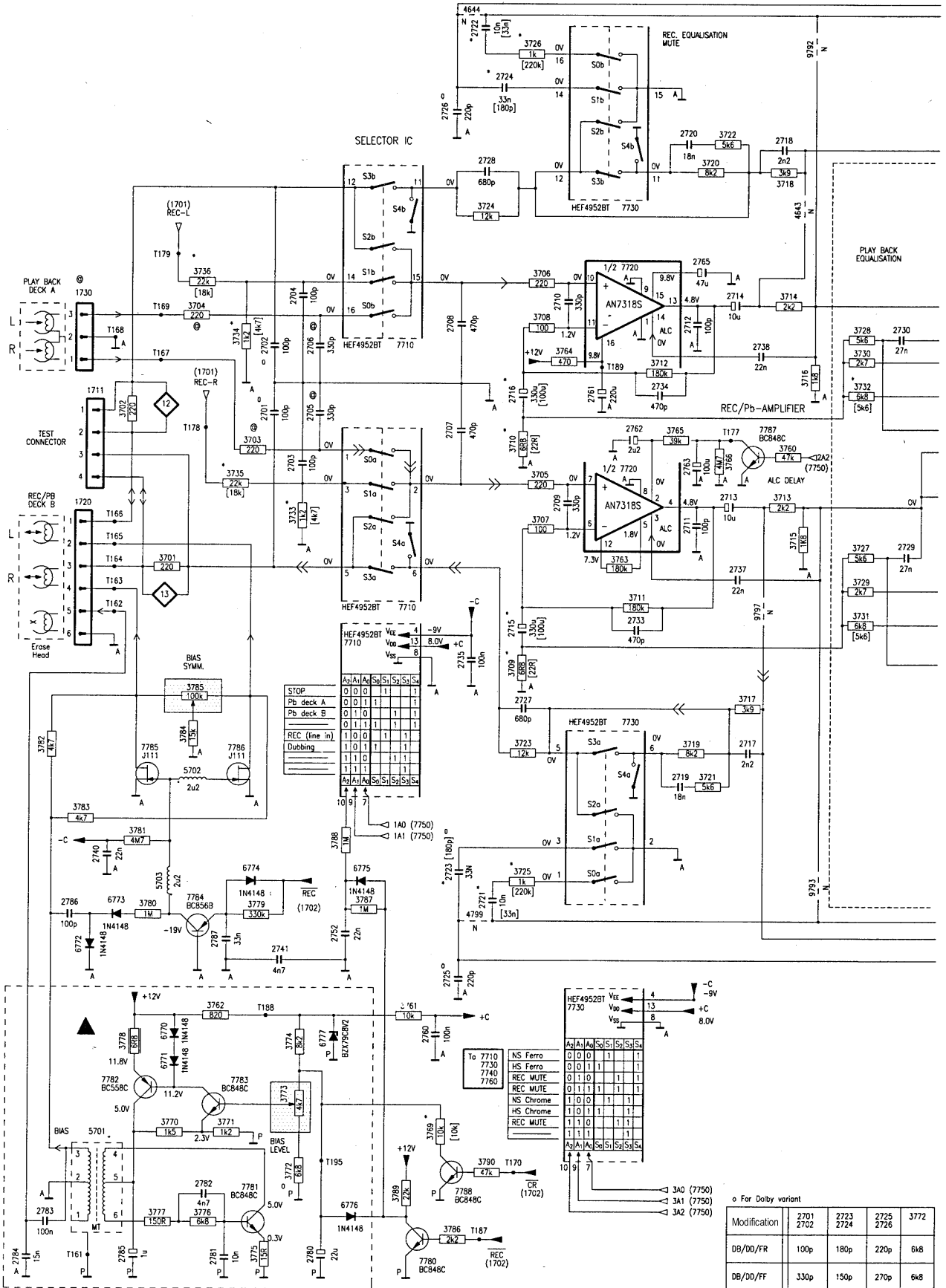




1	ND/SD	1K
2	DB/SD	2K2
3	ND/DD/FR	3K3
4	DB/DD/FR	5K6
5	DB/DD/RR	5K6
6	DB/DD/DM	6K8

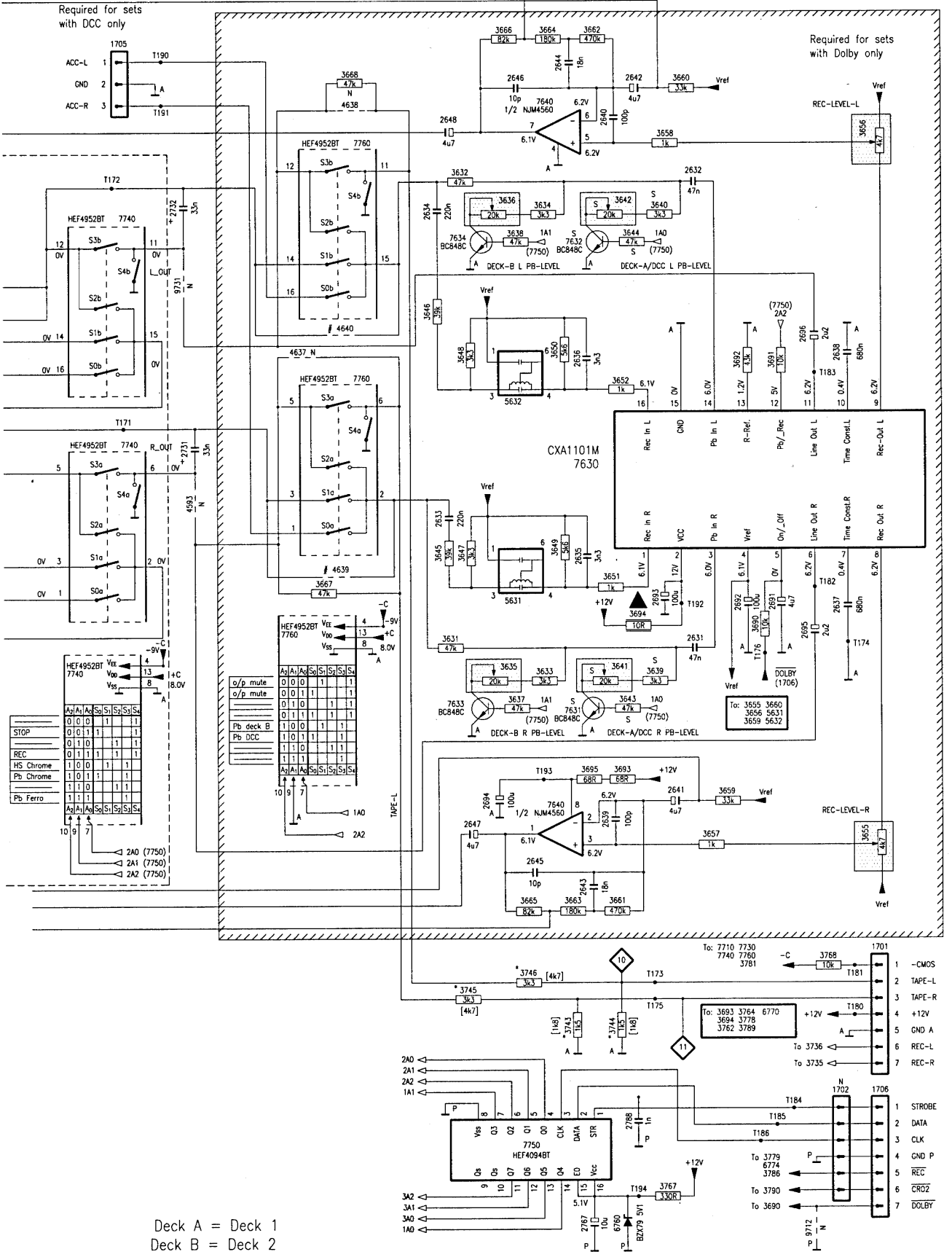
3683	DB/DD/FR	8k2
	DB/DD/FF	6k8
3685	DB/DD/FR	10k



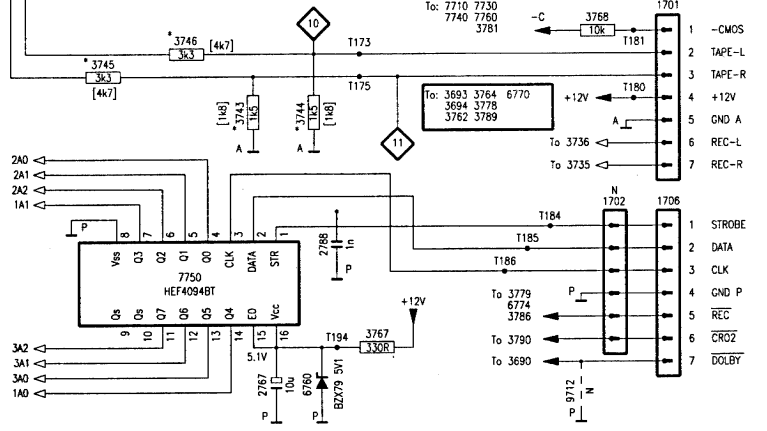


o For Dolby variant

Modification	2701 2702	2723 2724	2725 2726	3772
DB/DD/FR	100p	180p	220p	6k8
DB/DD/FF	330p	150p	270p	6k8



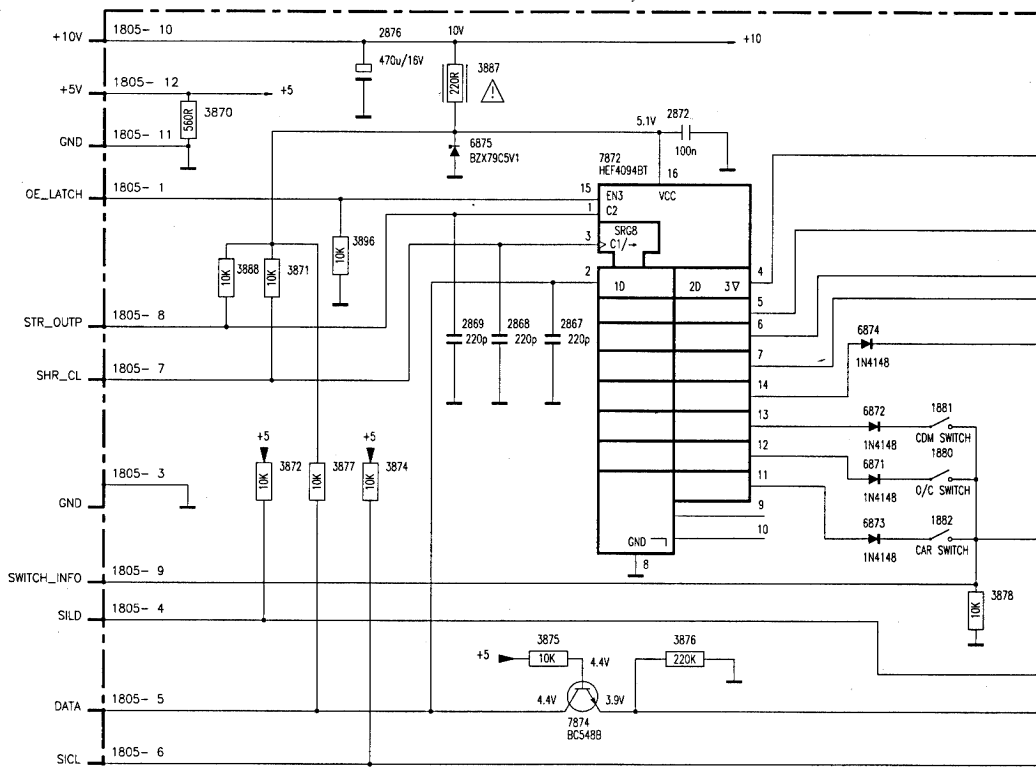
Deck A = Deck 1  
Deck B = Deck 2



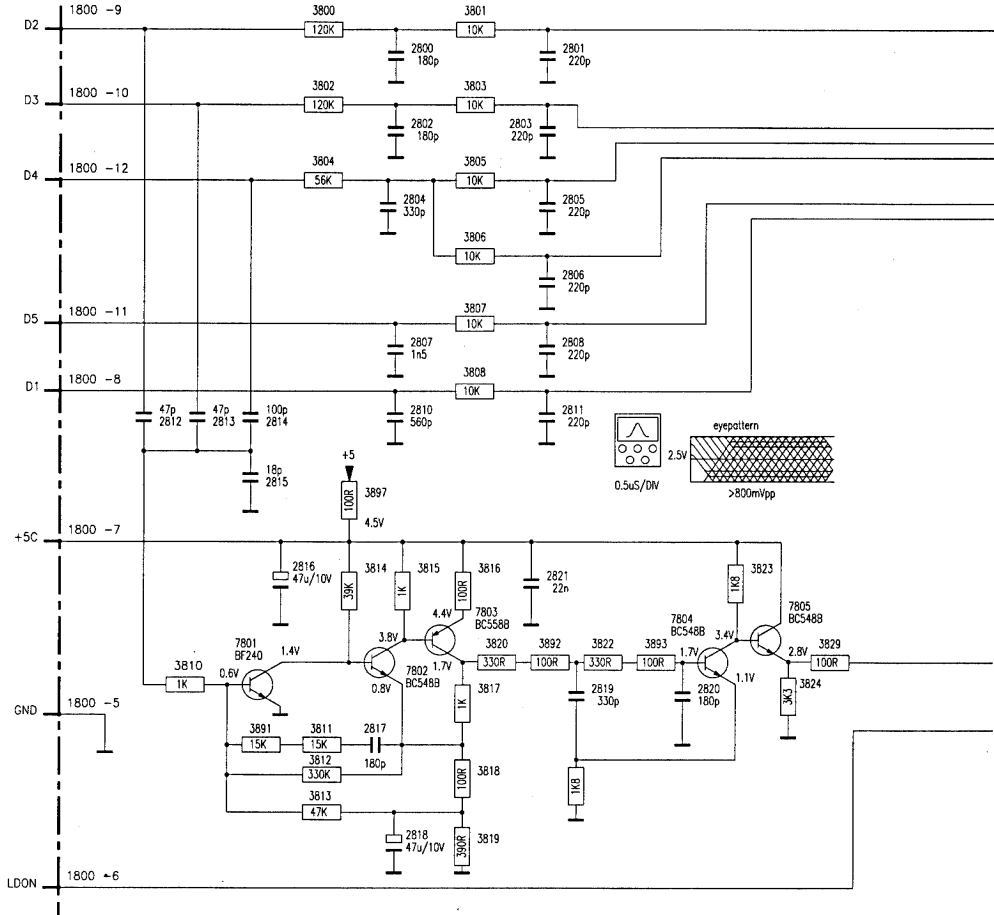
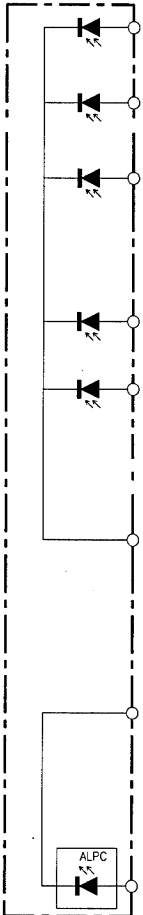
CDC-3 CIRCUIT

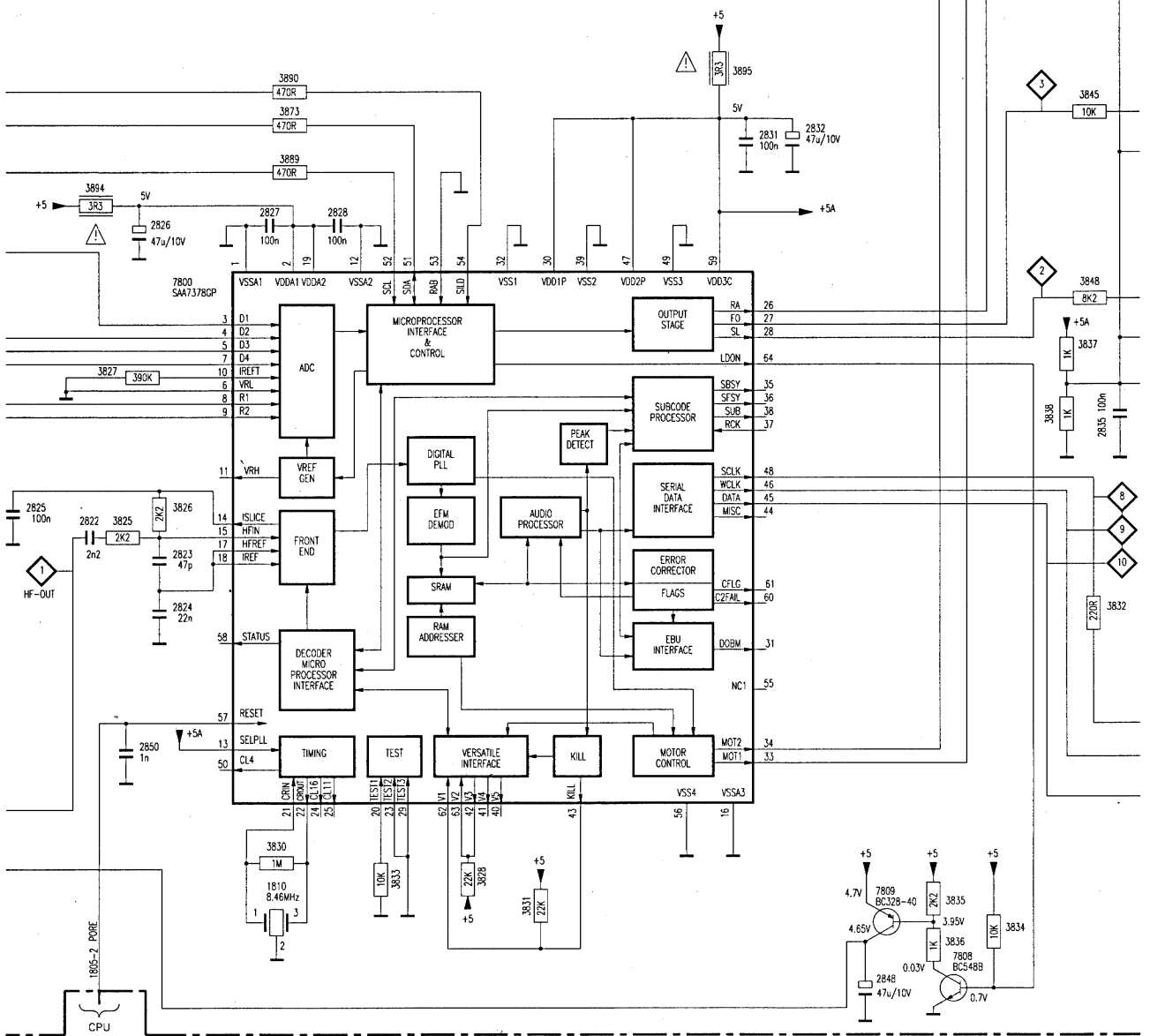
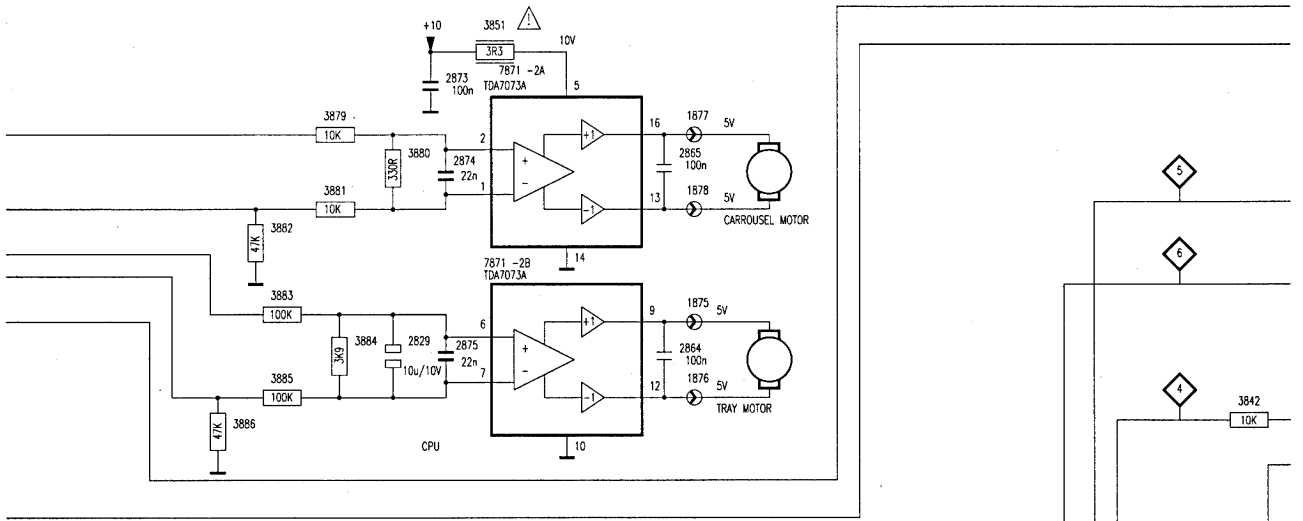
POWER SUPPLY

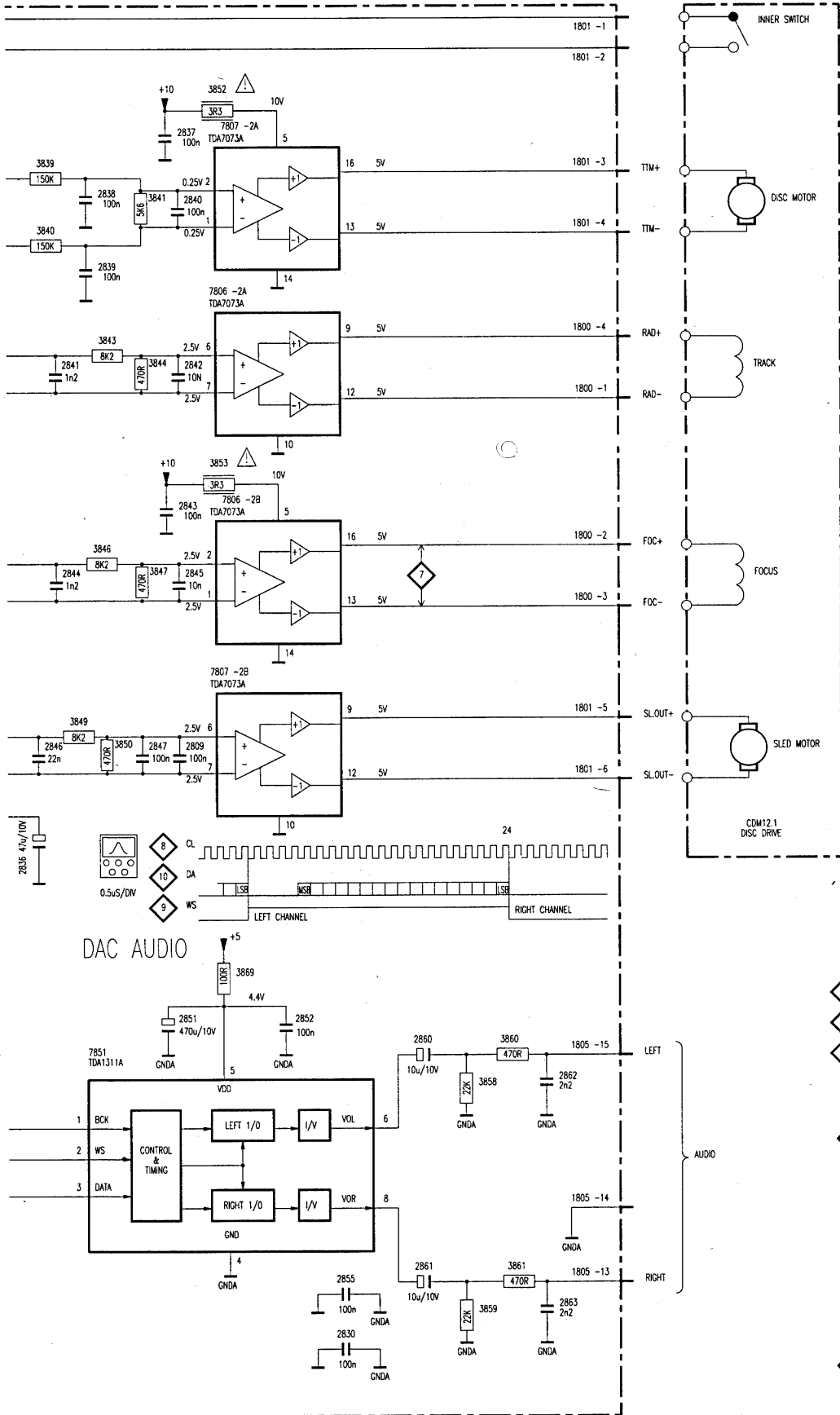
CPU



CDM12.1 DISC DRIVE

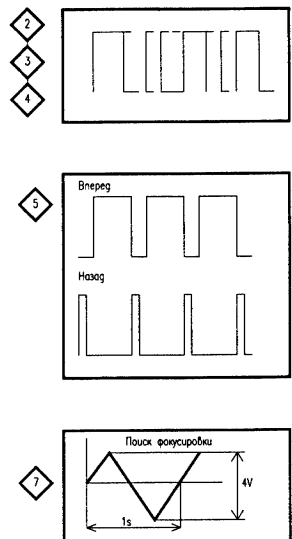


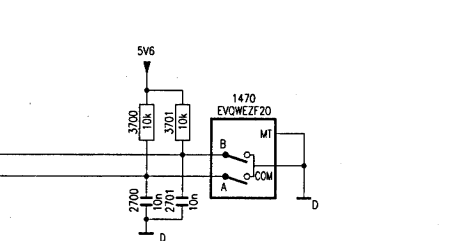
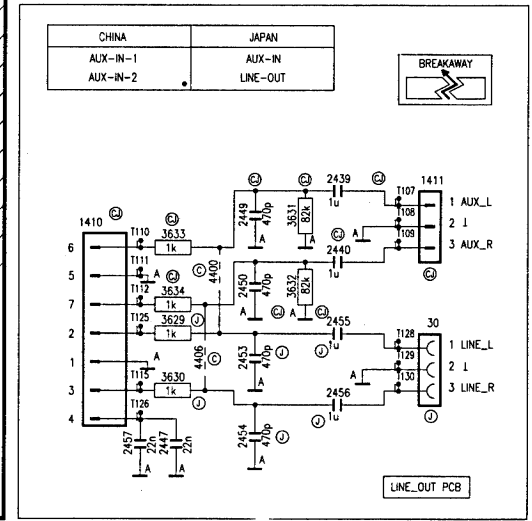
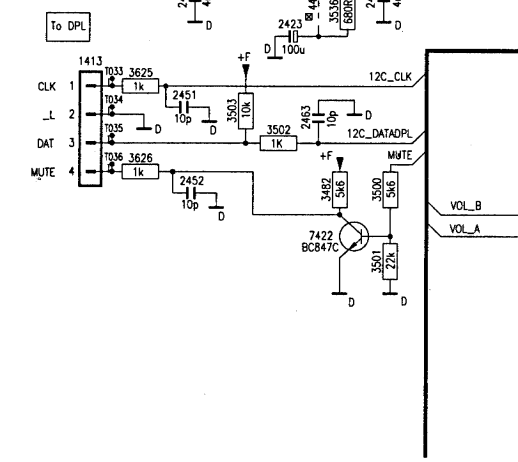
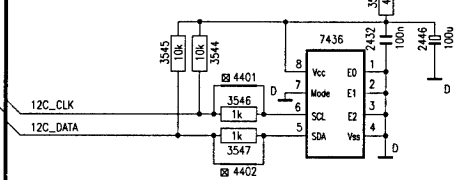
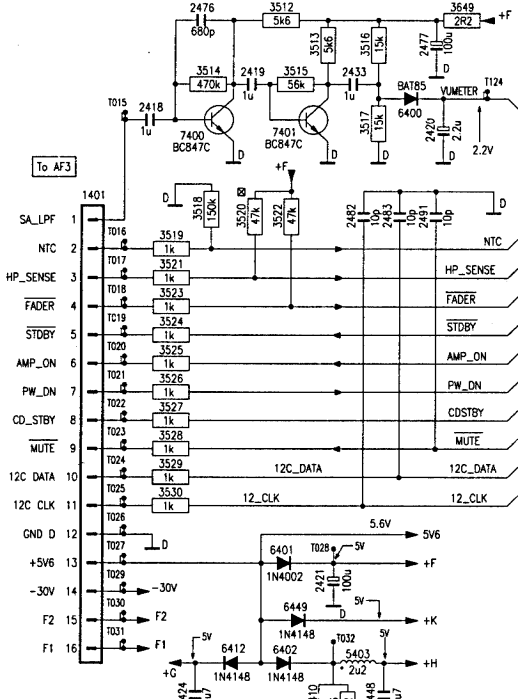
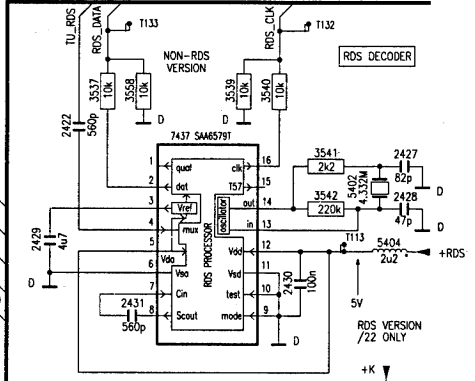
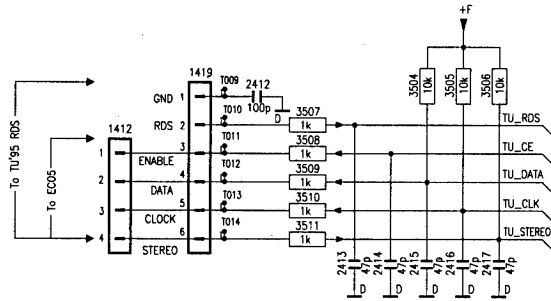




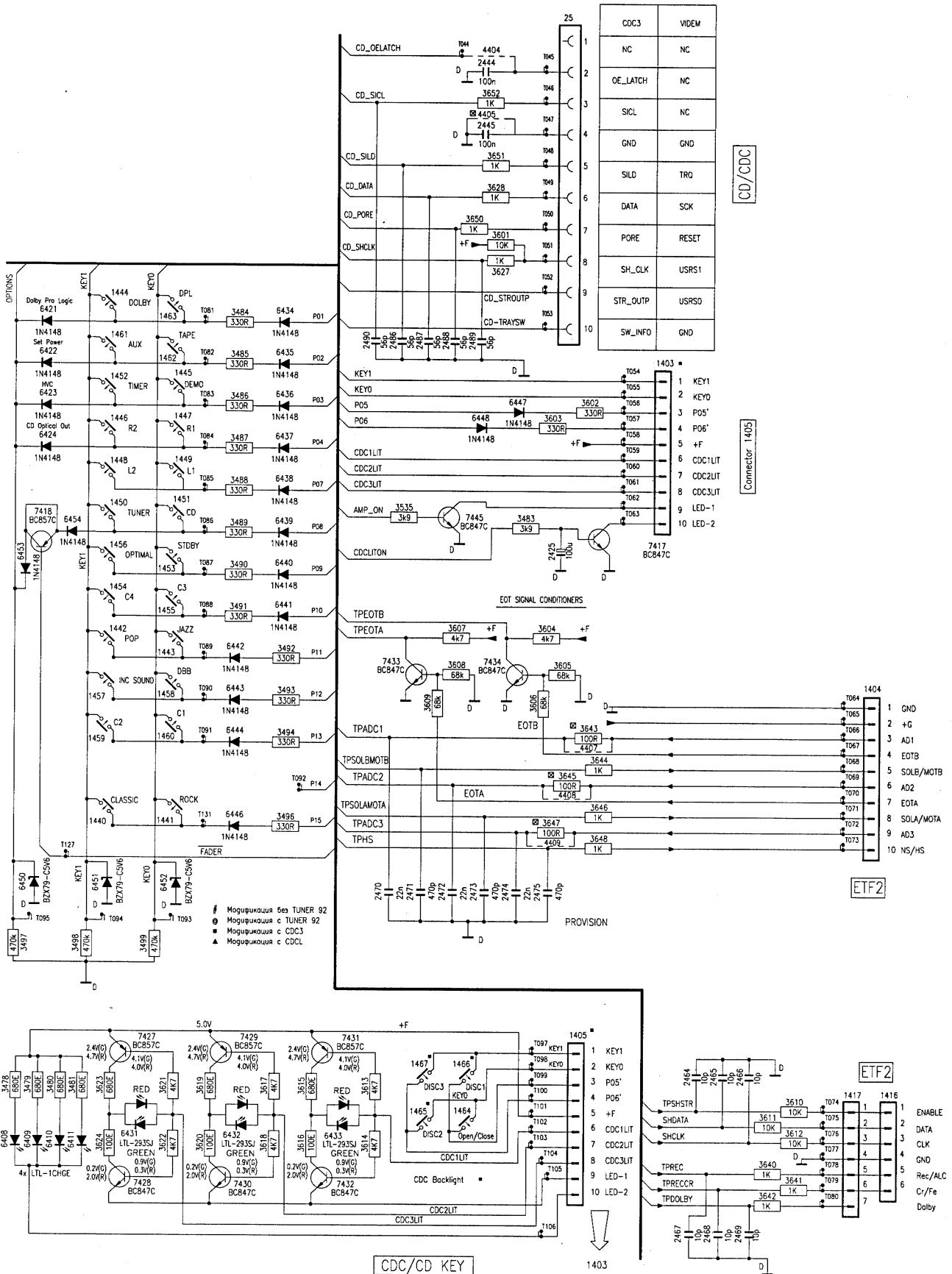
DAC AUDIO

Осциллограммы сигналов

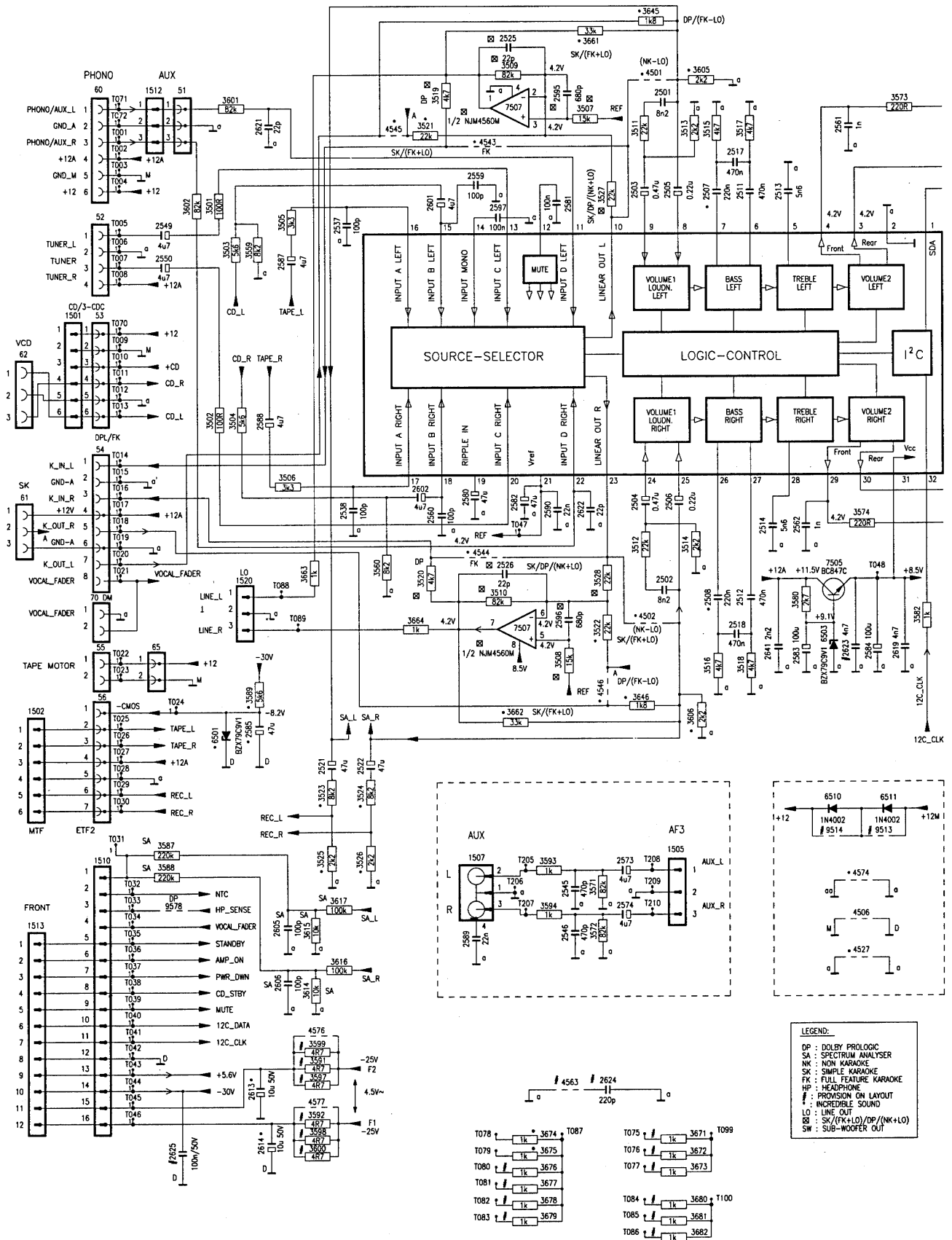






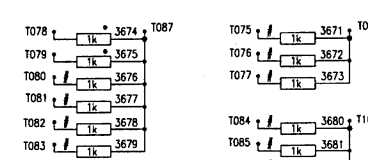
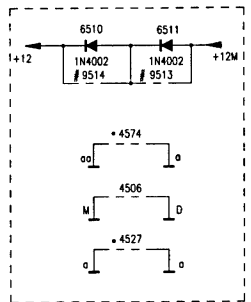
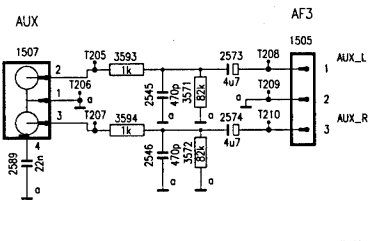


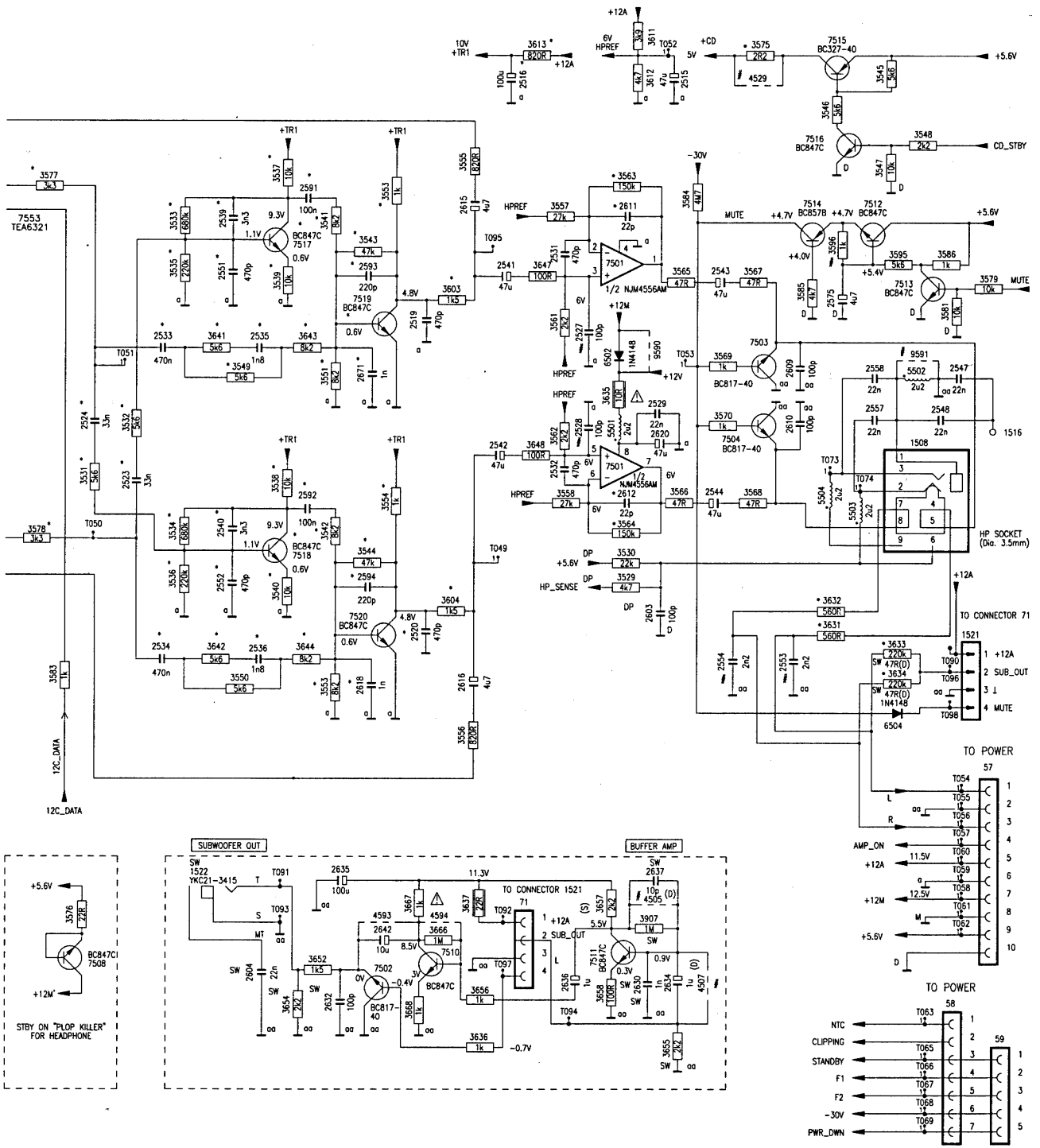




**LEGEND:**

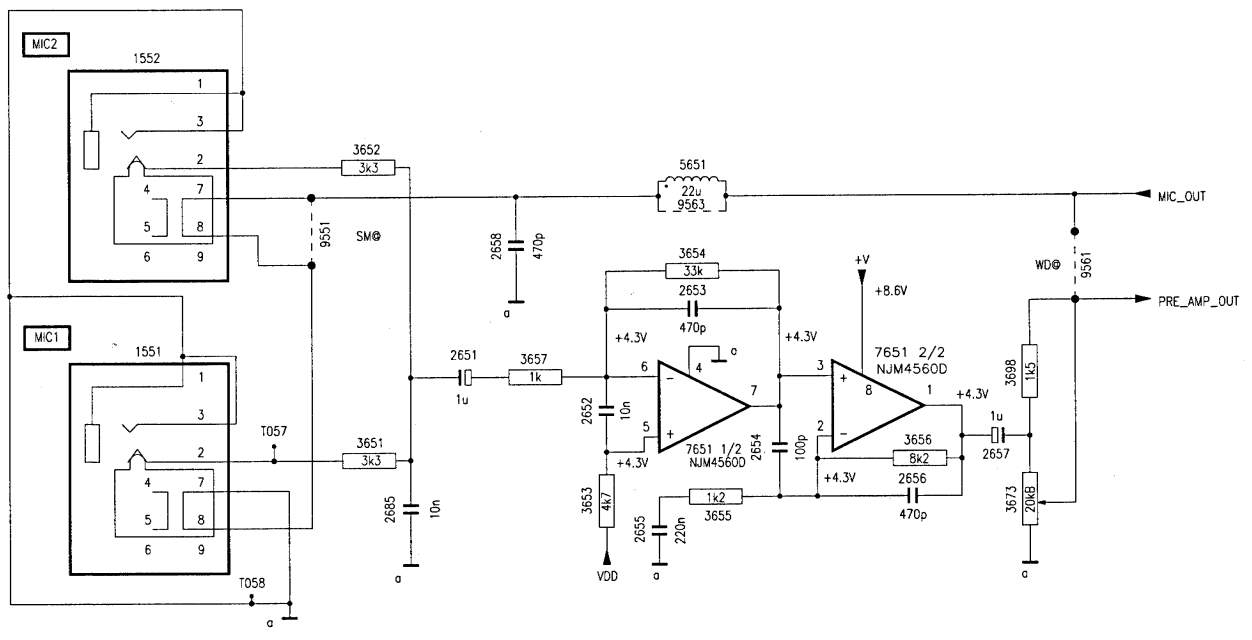
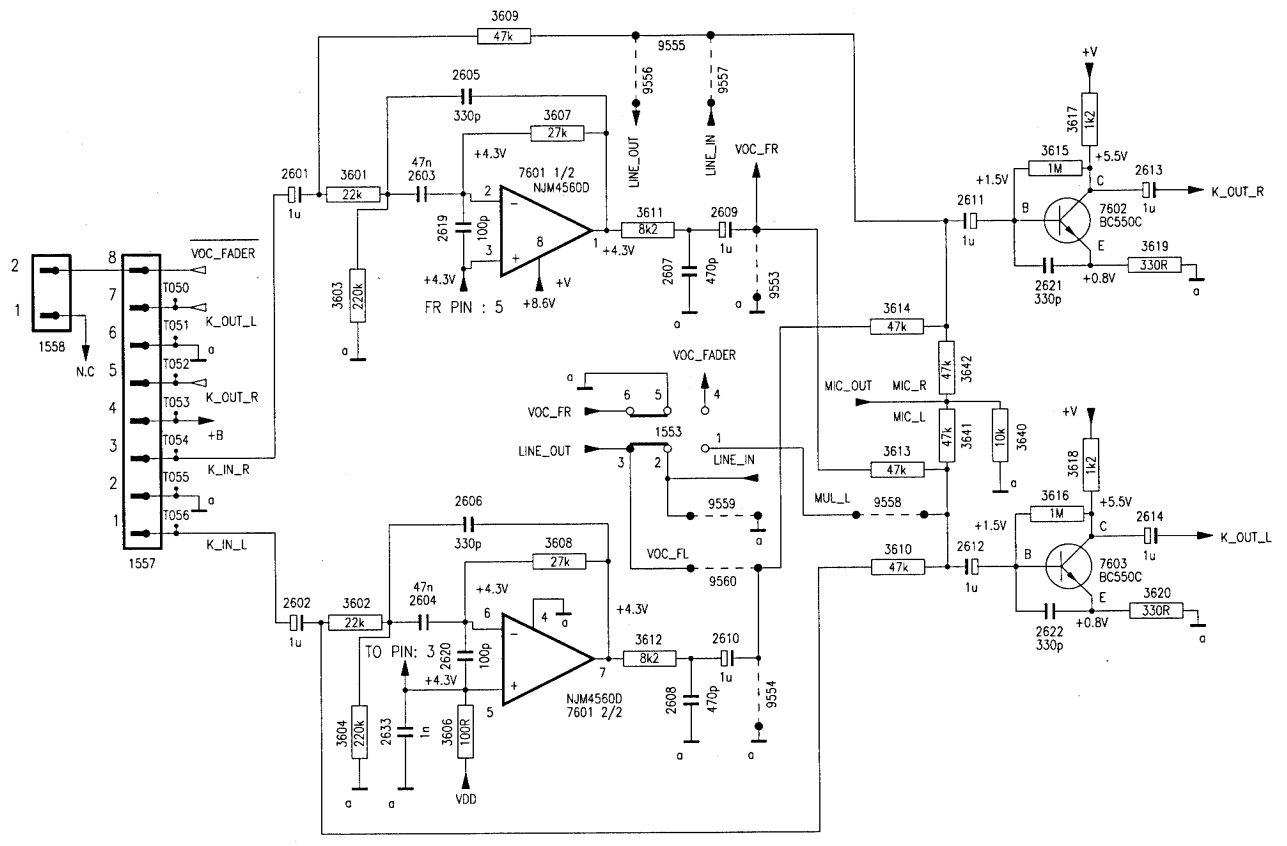
- DP : DOLBY PROLOGIC
- SA : SPECTRUM ANALYSER
- NK : NON KARAOKE
- SK : SIMPLE KARAOKE
- FK : FULL FEATURE KARAOKE
- HP : HEADPHONE
- #: PROMISSION ON LAYOUT
- LO : LINE OUT
- BB : SK/(FK+LO)/DP/(NK+LO)
- SW : SUB-WOOFER OUT

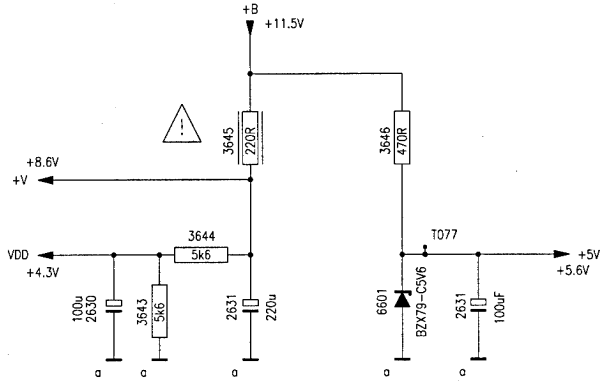




LEGEND: ( ) NOT USED  
 USED AS SHOWN IN SCHEMATICS

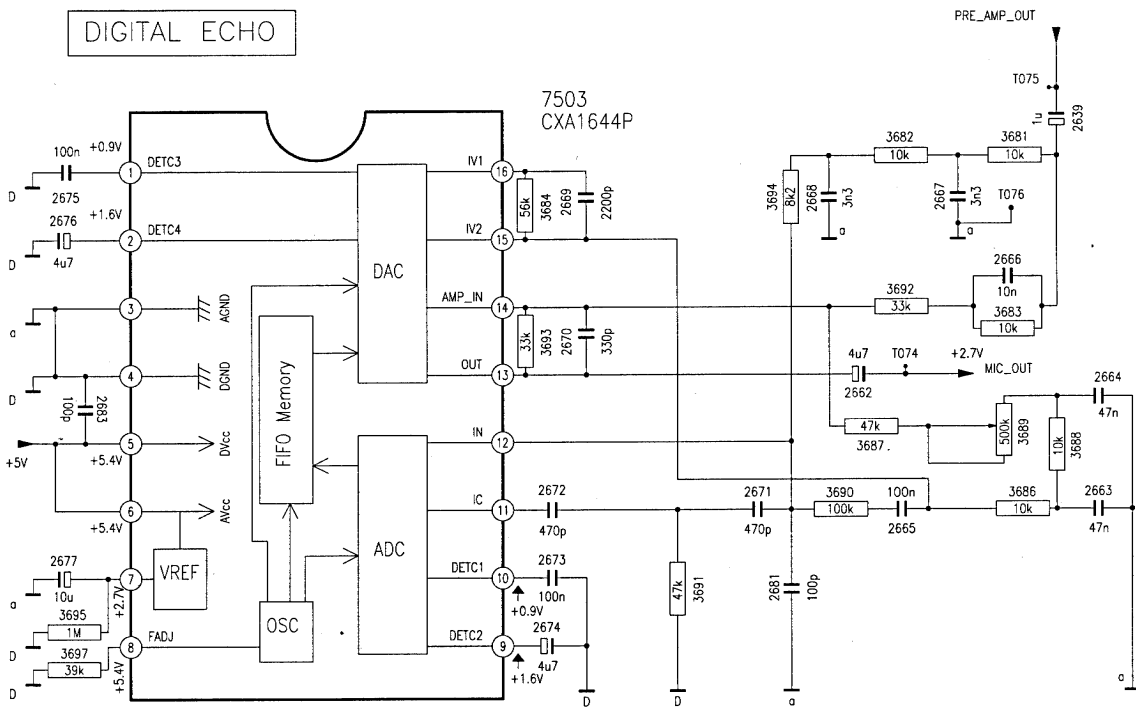
		70W/100W	12W/18W	ITEM MARK
3674	3675			
1k	1k	FW770P/21	89380	DP,SA,FK,SW,S,ETF2,3CDC
1k	2k2	FW730C/22 /FW750C/22	89890	NK,SA,SW,S,ETF2,3CDC
1k	3k3	FW730/21 /FW750C/21	86980	FK,SA,SW,S,ETF2,3CDC
1k	4k7	FW780P/21	86960	DP,SA,FK,SW,S,ETF2,3CDC
1k	6k8			
1k	8k2			
1k	10k			
1k	15k			
3k3	1k	M37BC/22	89740	DP,SW,S,ETF2,3CDC
3k3	2k2	FW363/21	85530	FK,S,ETF2
3k3	3k3	FW363/22	85540	NK,S,ETF2
3k3	4k7			

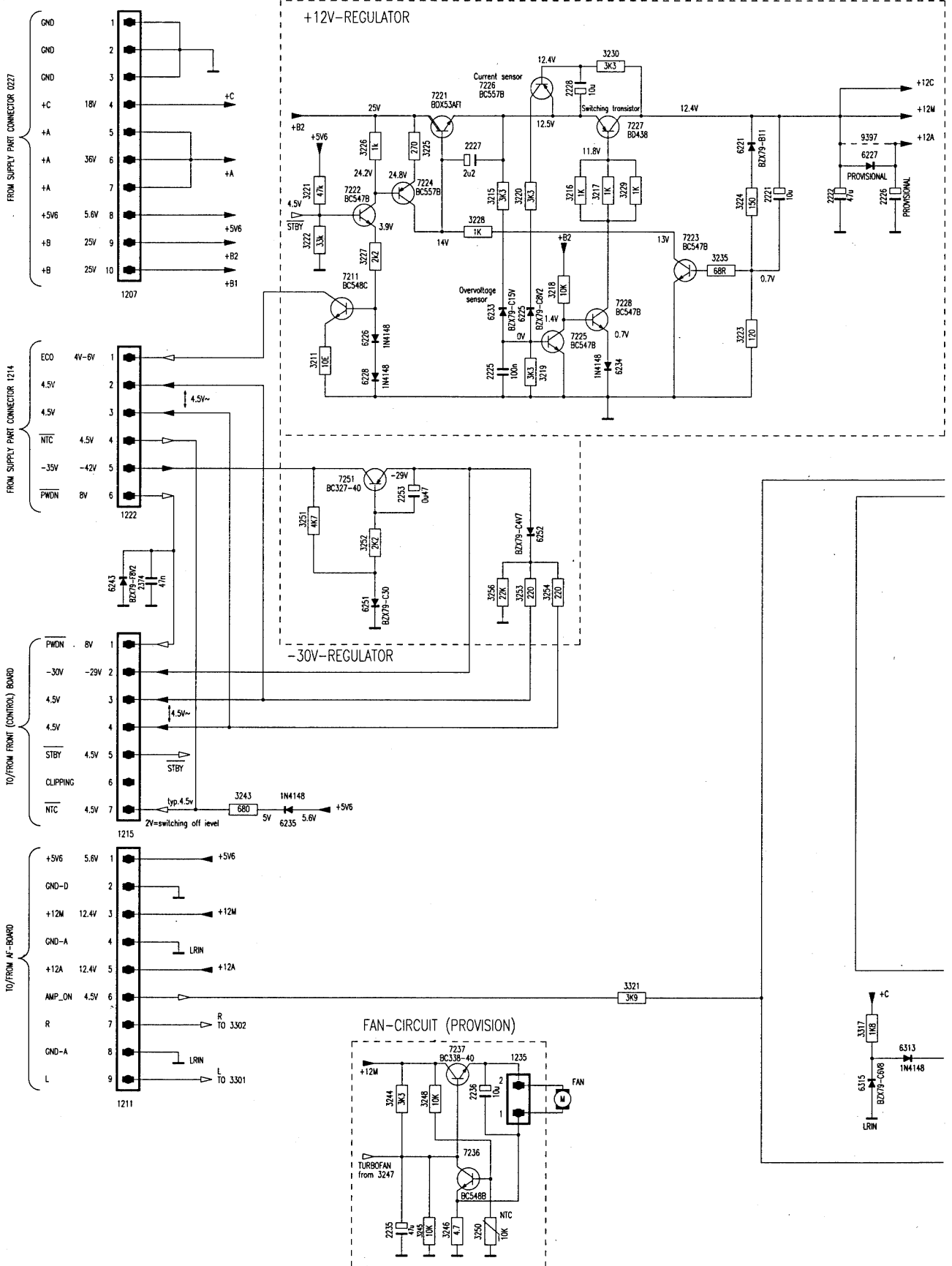


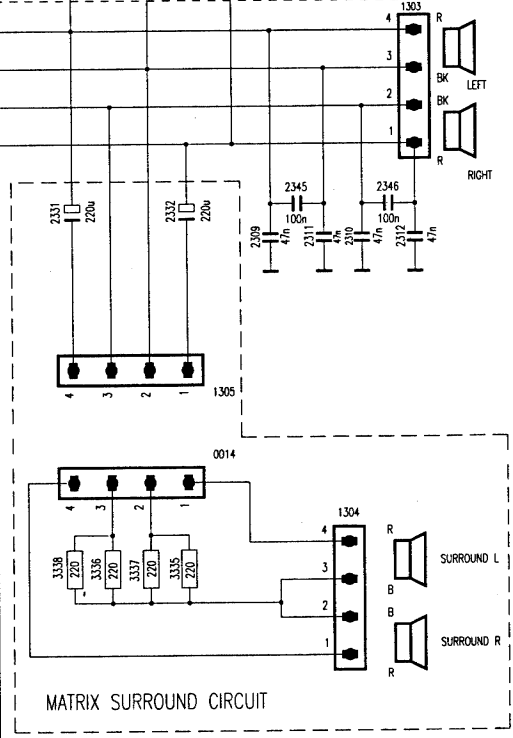
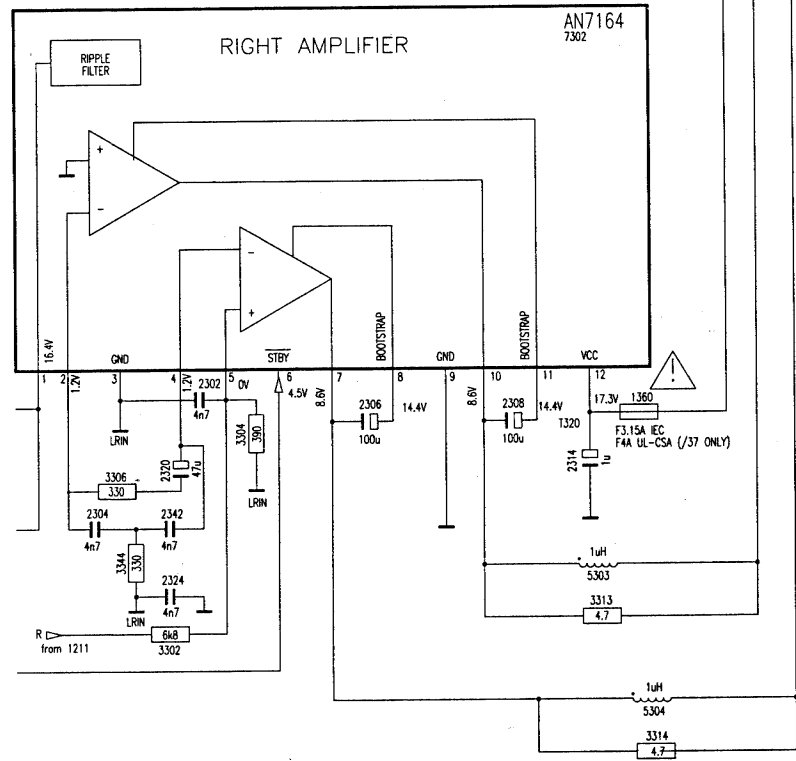
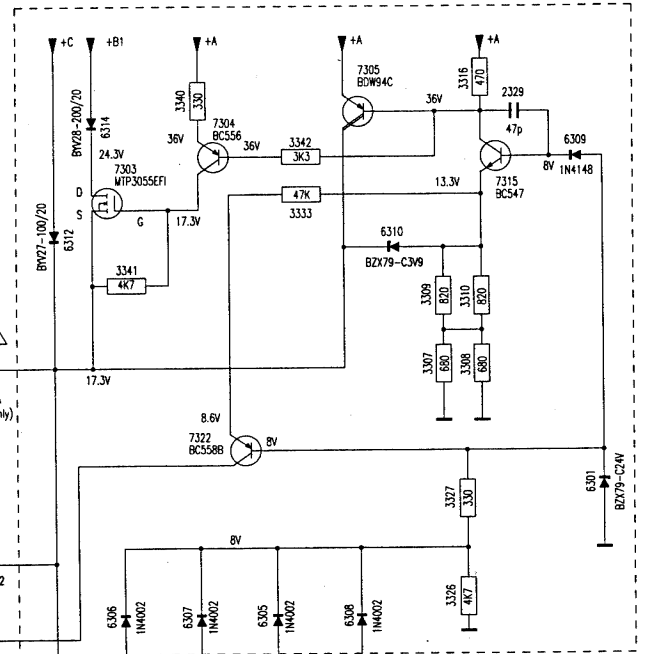
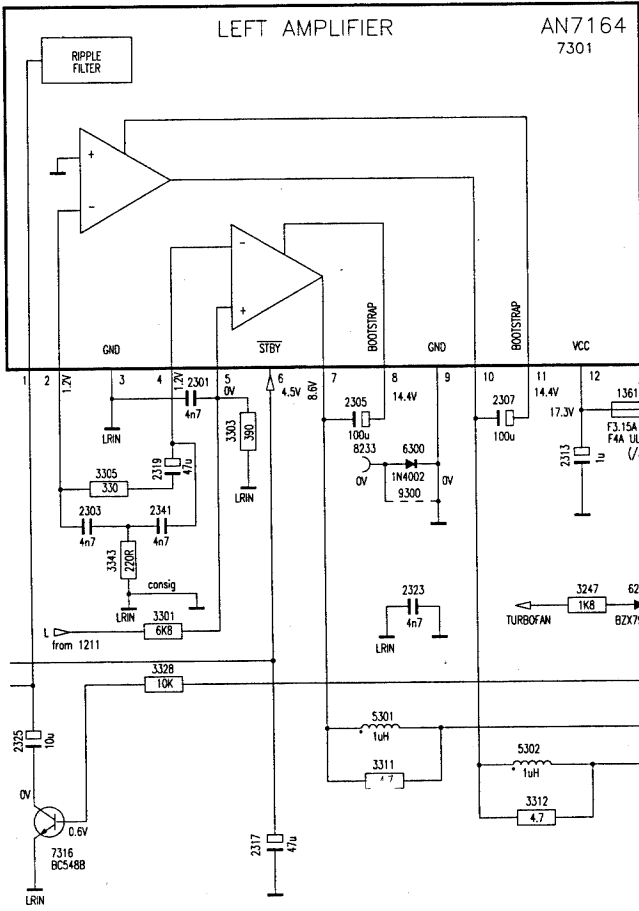


MULTIPLEX 9553, 9554, 9556, 9557, 9558  
 VOCAL FADER 9555, 9559, 9560

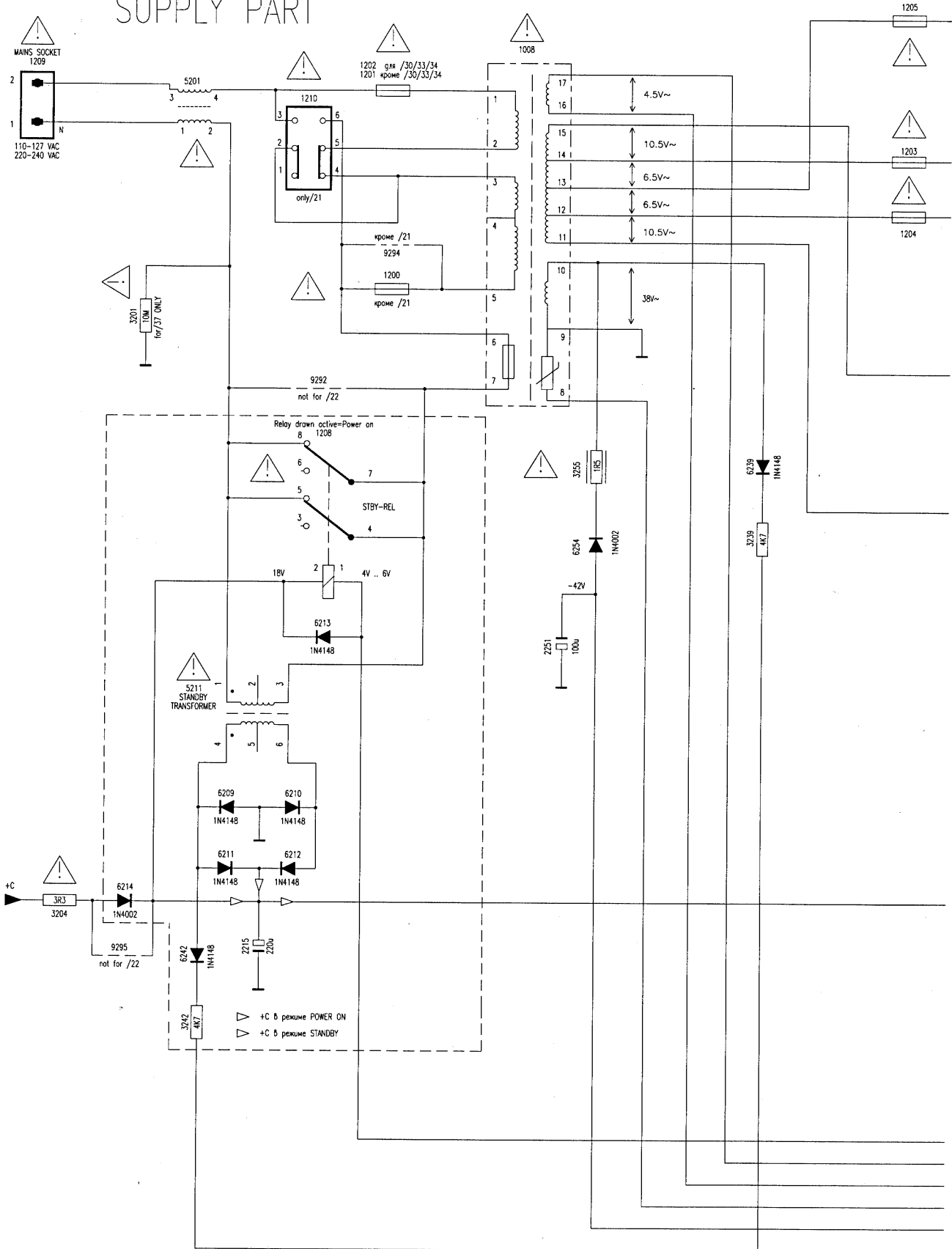
DIGITAL ECHO

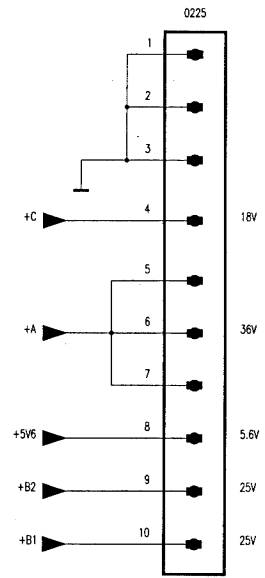
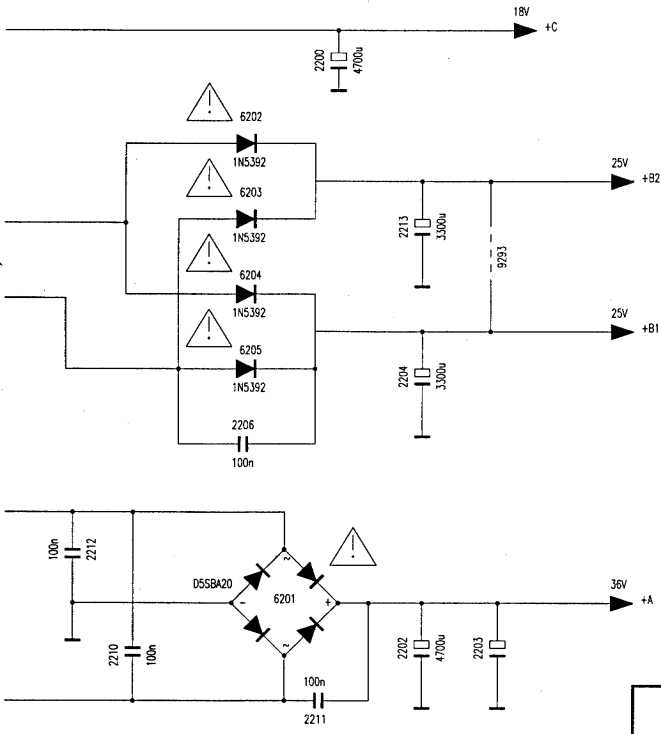






# SUPPLY PART





Modification	1200	1201	1202	1203 & 1204	1205
/21	T1A	T1A	-	T2.5A	T2.5A
/22	-	T1A	-	T2.5A	T2.5A
/26	-	T2.5A	-	T2.5A	T2.5A
/30	-	-	T1A	T2.5A	T2.5A
/37	-	T2.5A	-	T3.15A	T3.15A

